

Good quality Pod motors from Netherlands

Innovation in green technology!

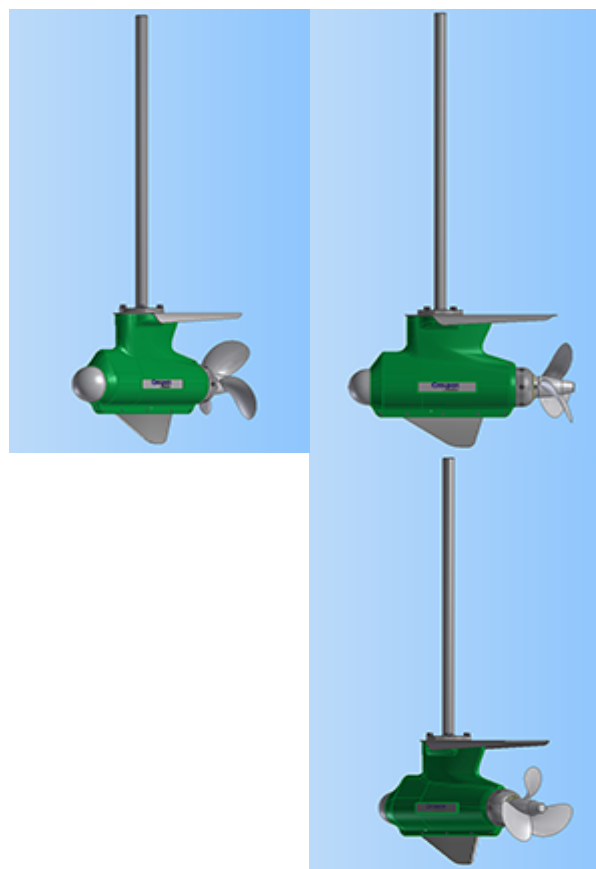
All parts in in a package!

1./ E- POD 2.0

2,0 KW POD Motor

Complete including:

- motor
- motor controller and control box
- throttle
- ignition switch
- main power switch
- cable set
- maunting kit
- sacrificial anodes
- aluminum propeller
- stainless steel fin under the motor
- stainless steel connection pipe
- stainless steel anti-cavitation plate
- battery mater



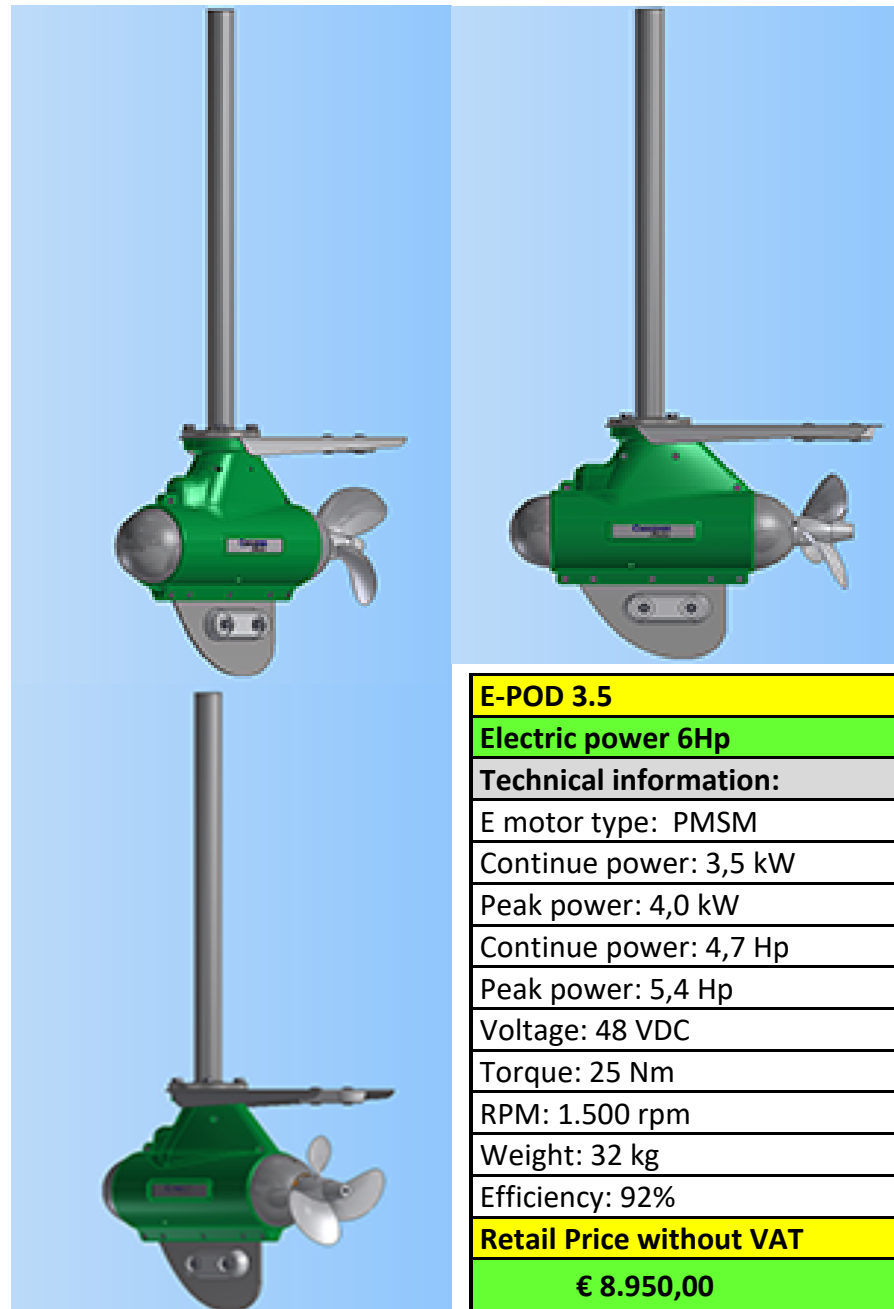
E-POD 2.0
Electric power 4Hp
Technical information:
E motor type: PMSM
Continue power: 2,0 kW
Peak power: 2,7 kW
Continue power: 2,7 Hp
Peak power: 3,7 Hp
Voltage: 48 VDC
Torque: 13 Nm
RPM: 1.500 rpm
Weight: 16 kg
Efficiency: 87%
Retail Price without VAT
€ 8.150,00

2./ E- POD 3.5

Complete including:

- motor
- motor controller and control box
- throttle
- ignition switch
- main power switch
- cable set
- mounting kit
- sacrificial anodes
- aluminum propeller
- stainless steel fin under the motor
- stainless steel connection pipe
- stainless steel anti-cavitation plate
- battery meter

3,5 KW POD Motor



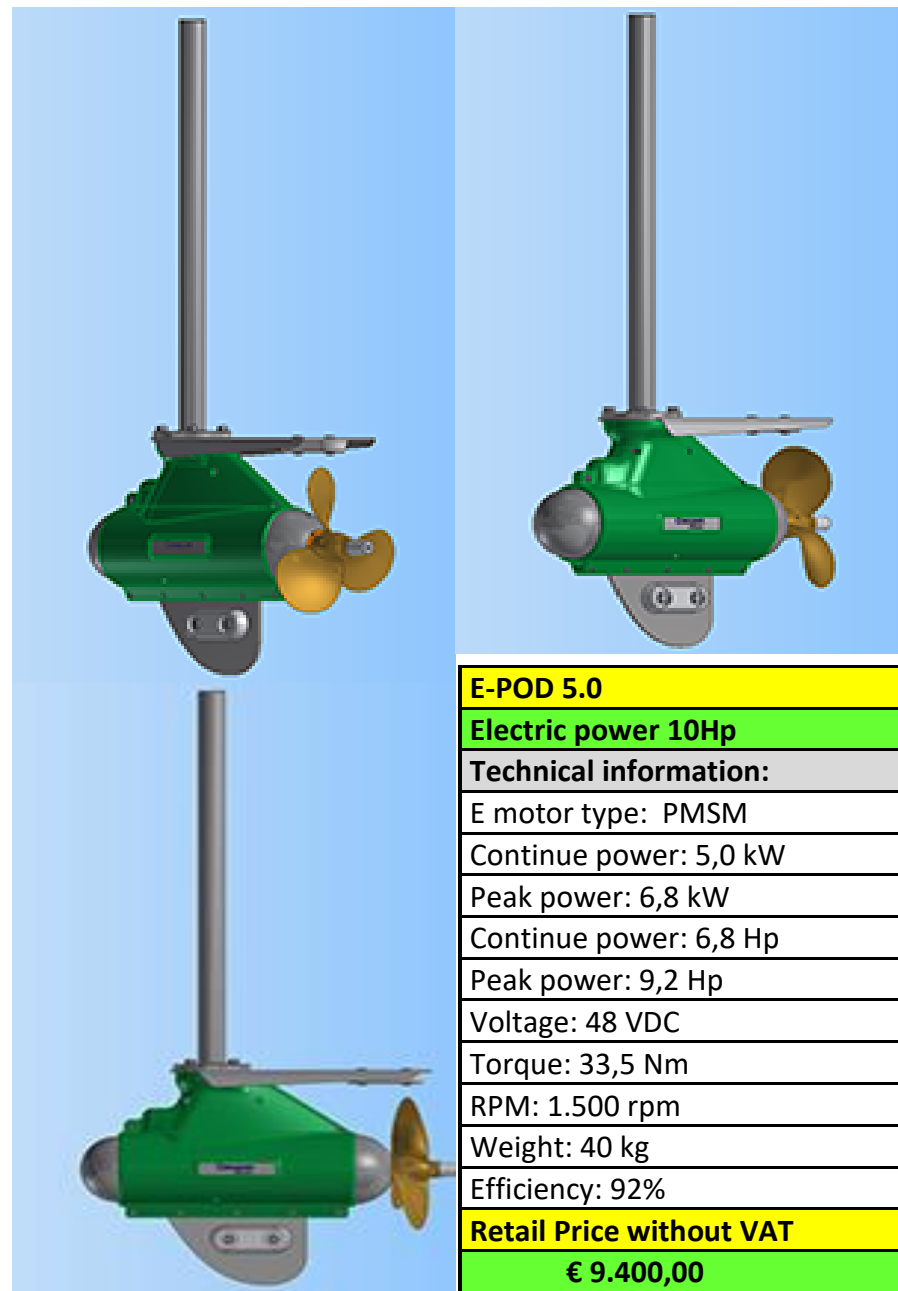
E-POD 3.5
Electric power 6Hp
Technical information:
E motor type: PMSM
Continue power: 3,5 kW
Peak power: 4,0 kW
Continue power: 4,7 Hp
Peak power: 5,4 Hp
Voltage: 48 VDC
Torque: 25 Nm
RPM: 1.500 rpm
Weight: 32 kg
Efficiency: 92%
Retail Price without VAT
€ 8.950,00

3./ E- POD 5.00

Complete including:

- motor
- motor controller and control box
- throttle
- ignition switch
- main power switch
- cable set
- mounting kit
- sacrificial anodes
- manganese bronze propeller
- stainless steel fin under the motor
- stainless steel connection pipe
- stainless steel anti-cavitation plate
- battery mater

5,0 KW POD Motor



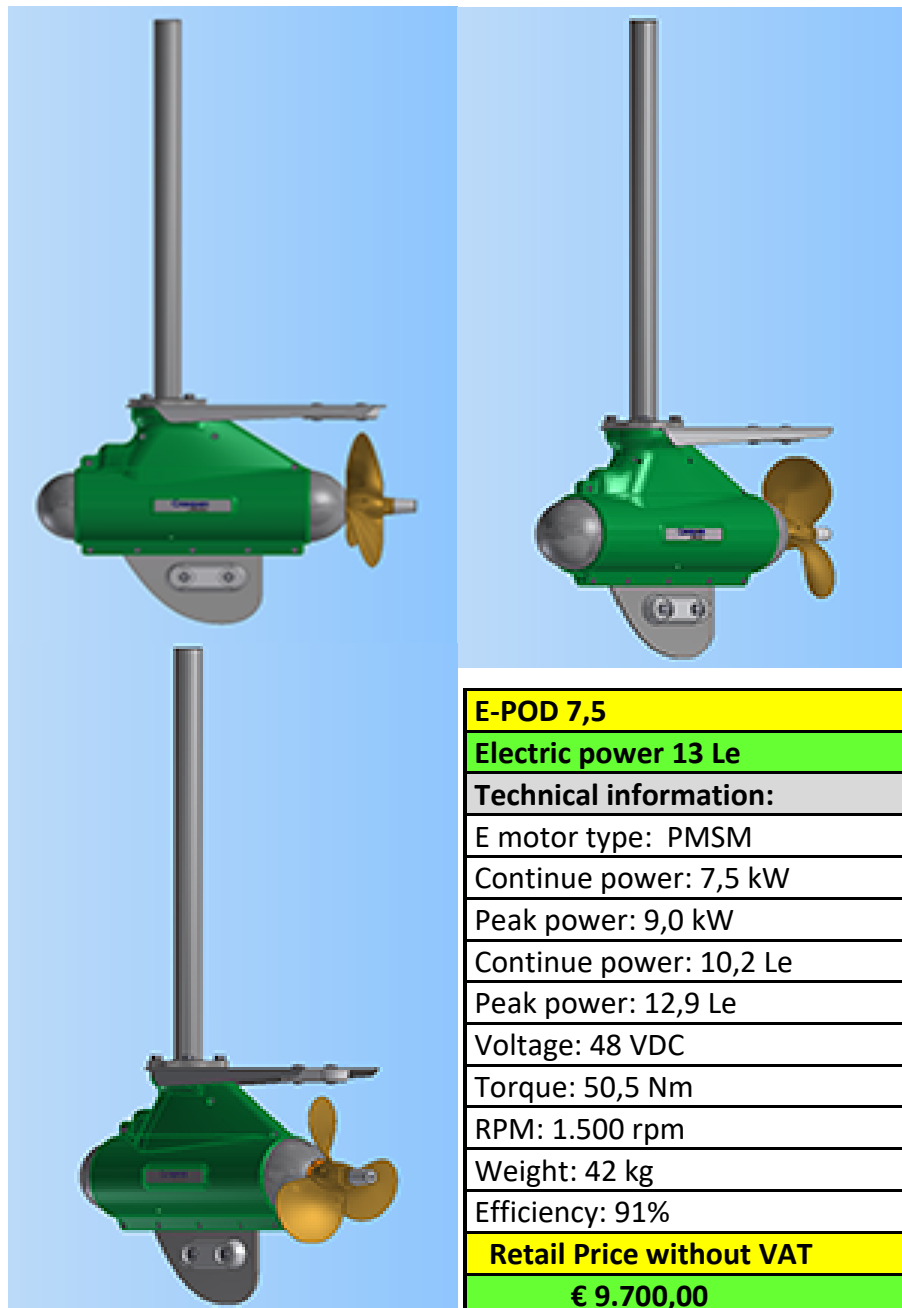
4./ E- POD 7.5

Complete including:

- motor
- motor controller and control box
- throttle
- ignition switch
- main power switch
- cable set
- mounting kit
- sacrificial anodes
- manganese bronze propeller
- stainless steel fin under the motor
- stainless steel connection pipe
- stainless steel anti-cavitation plate
- battery mater

7,5 KW POD Motor

Creusen
Marine
GREEN TECHNOLOGY



E-POD 7,5
Electric power 13 Le
Technical information:
E motor type: PMSM
Continue power: 7,5 kW
Peak power: 9,0 kW
Continue power: 10,2 Le
Peak power: 12,9 Le
Voltage: 48 VDC
Torque: 50,5 Nm
RPM: 1.500 rpm
Weight: 42 kg
Efficiency: 91%
Retail Price without VAT
€ 9.700,00

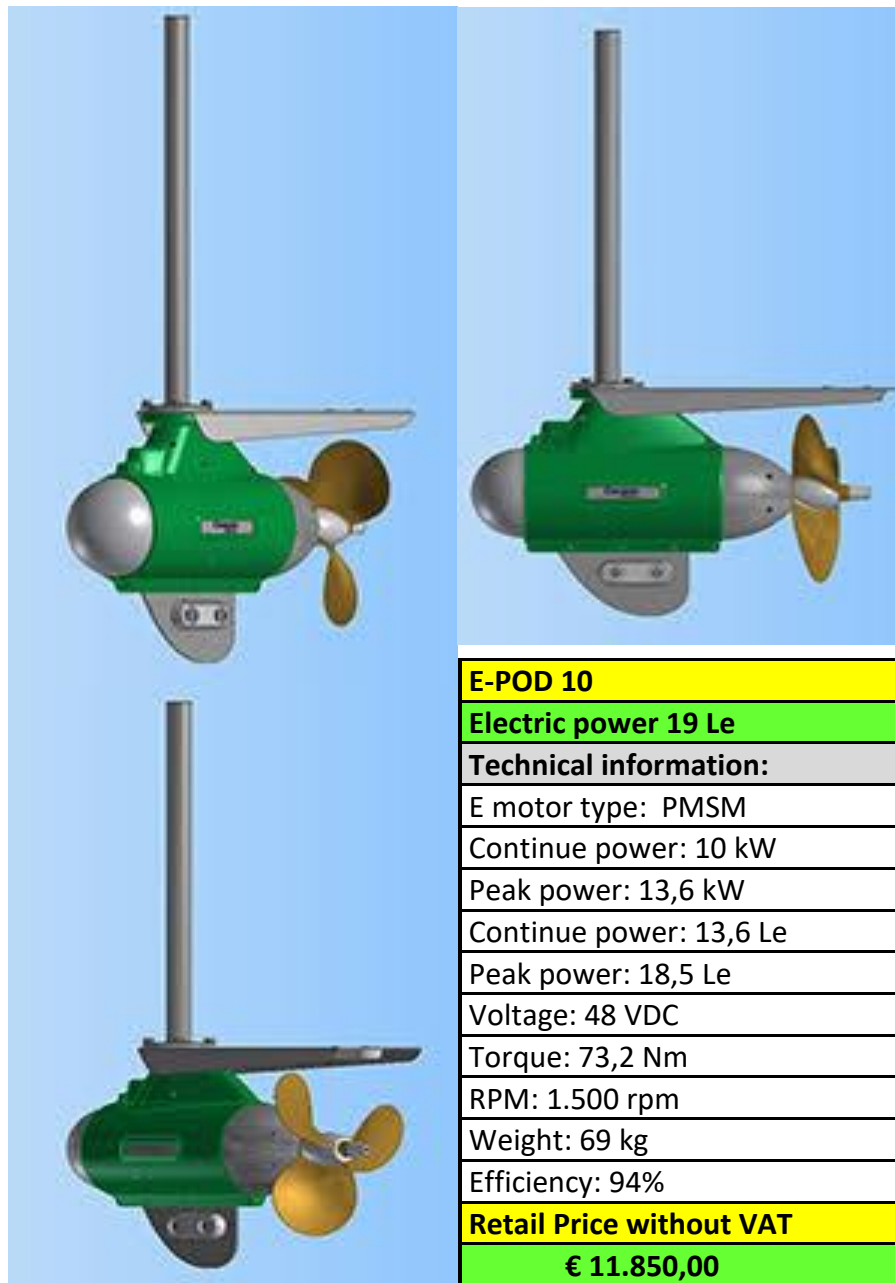
5./ E- POD 10

Complete including:

- motor
- motor controller and control box
- throttle
- ignition switch
- main power switch
- cable set
- mounting kit
- sacrificial anodes
- manganese bronze propeller
- stainless steel fin under the motor
- stainless steel connection pipe
- stainless steel anti-cavitation plate
- battery mater

10 KW POD Motor

Creusen
Marine
GREEN TECHNOLOGY



E-POD 10

Electric power 19 Le

Technical information:

E motor type: PMSM

Continue power: 10 kW

Peak power: 13,6 kW

Continue power: 13,6 Le

Peak power: 18,5 Le

Voltage: 48 VDC

Torque: 73,2 Nm

RPM: 1.500 rpm

Weight: 69 kg

Efficiency: 94%

Retail Price without VAT

€ 11.850,00